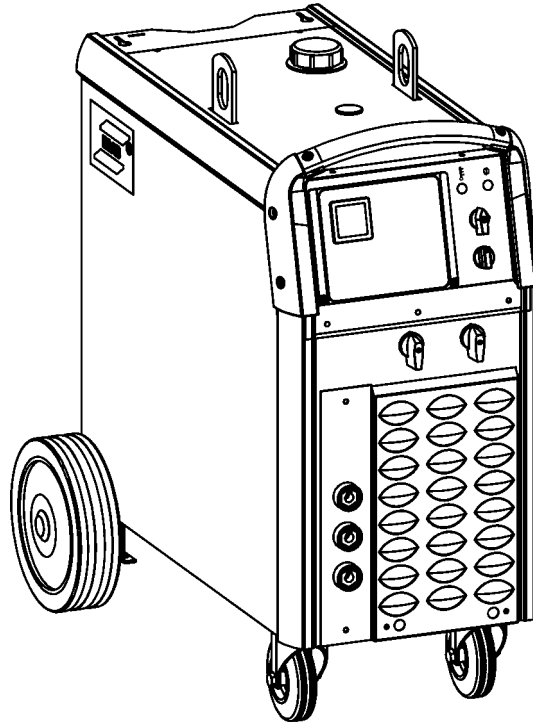


Spare parts list



Valid for serial no. 246-xxx-xxxx

Ordering number

| | | |
|--------------|--------------|---|
| 0349 302 408 | ESABMig 405 | 400-415V 3~50Hz |
| 0349 302 713 | ESABMig 405 | 230/400-415/500V 3~50Hz; 230/440-460V 3~60Hz |
| 0349 302 407 | ESABMig 405w | 400-415V 3~50Hz; with water cooler |
| 0349 302 711 | ESABMig 405w | 230/400-415/500V 3~50Hz; 230/440-460V 3~60Hz; with water cooler |
| 0349 303 563 | ESABMig 405 | 400-415V 3~50Hz; with digital instrument |
| 0349 303 564 | ESABMig 405w | 400-415V 3~50Hz; with water cooler, with digital instrument |
| 0349 302 404 | ESABMig 505 | 400-415V 3~50Hz |
| 0349 302 436 | ESABMig 505 | 230/400-415/500V 3~50Hz; 230/440-460V 3~60Hz |
| 0349 302 403 | ESABMig 505w | 400-415V 3~50Hz; with water cooler |
| 0349 302 435 | ESABMig 505w | 230/400-415/500V 3~50Hz; 230/440-460V 3~60Hz; with water cooler |
| 0349 303 565 | ESABMig 505 | 400-415V 3~50Hz; with digital instrument |
| 0349 303 566 | ESABMig 505w | 400-415V 3~50Hz; with water cooler, with digital instrument |

Spare parts are to be ordered through the nearest ESAB agency. Kindly indicate type of unit, serial number, denominations and ordering numbers according to the spare parts list.

Maintenance and repair work should be performed by an experienced person, and electrical work only by a trained electrician. Use only recommended spare parts.

Rights reserved to alter specifications without notice.

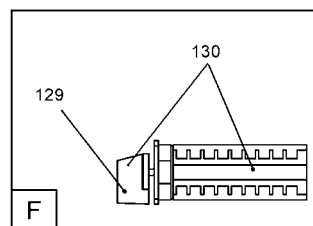
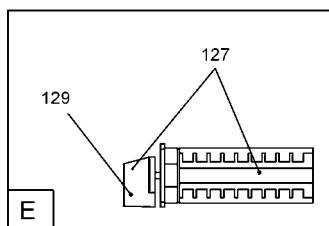
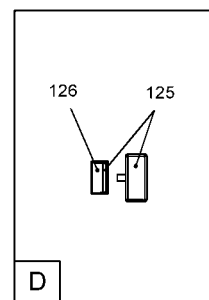
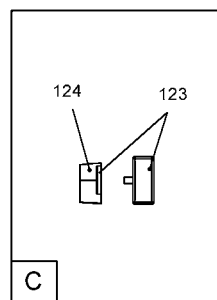
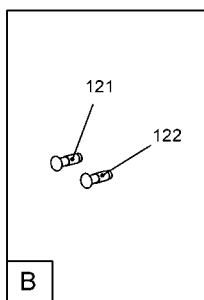
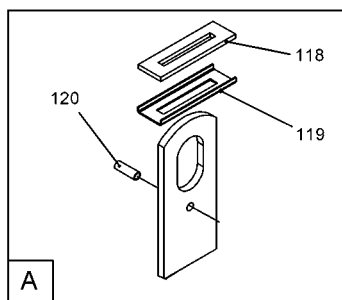
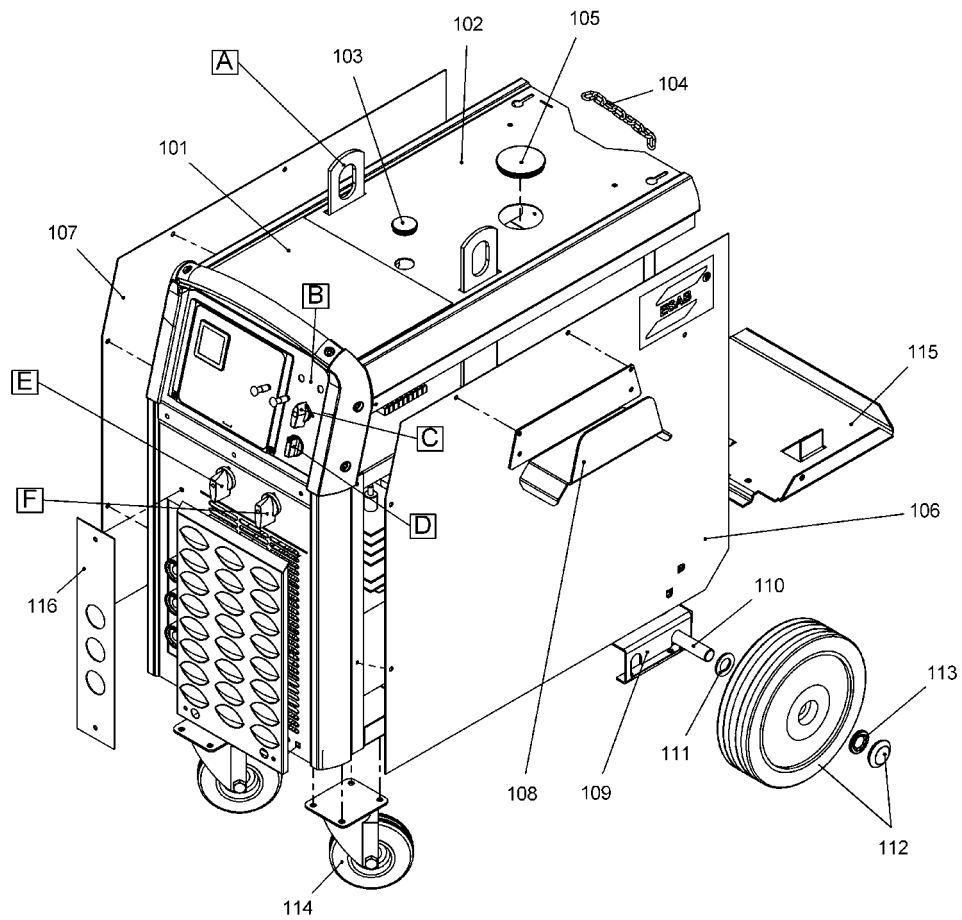
ESABMig 405, ESABMig 505

(A) = accessory

C = component designation in the circuit diagram

| Item | Qty 405 | Qty 505 | Ordering no. | Denomination | Notes | C |
|------|------------|------------|--------------|----------------------|------------------------------------|-----|
| 101 | 1 | 1 | 0349 302 564 | Rubber mat | | |
| 102 | 1 | 1 | 0349 302 547 | Cover | | |
| 103 | 1 | 1 | | Blind plug | Ø31 | |
| 104 | 1 | 1 | 0321 173 001 | Securing chain | L=700 | |
| 105 | 1 | 1 | | Blind plug | Ø66 | |
| 106 | 1 | 1 | 0349 302 548 | Side panel with text | right | |
| 107 | 1 | 1 | 0349 302 549 | Side panel with text | left | |
| 108 | 1 | 1 | | Holder (A) | | |
| 109 | 1 | 1 | 0349 302 524 | Clamp | | |
| 110 | 1 | 1 | 0349 490 746 | Shaft | | |
| 111 | 2 | 2 | 0215 100 037 | Washer | Ø36/21x3mm | |
| 112 | 2 | 2 | 0469 872 001 | Wheel | Ø250 | |
| 113 | 2 | 2 | 0192 859 126 | Locking washer | | |
| 114 | 2 | 2 | 0349 304 853 | Castor wheel | Ø125mm; h=150mm | |
| 115 | 1 | 1 | 0349 302 558 | Shelf | | |
| 116 | 1 | - | 0349 302 551 | OKC plate | | |
| | - | 1 | 0349 302 516 | OKC plate | | |
| 118 | 2 | 2 | 0468 797 001 | Seal | | |
| 119 | 2 | 2 | 0468 796 001 | Support plate | | |
| 120 | 2 | 2 | 0349 480 394 | Roll pin | | |
| 121 | 1 | 1 | 0369 733 005 | Signal lamp | orange | H2 |
| 122 | 1 | 1 | 0349 302 712 | Signal lamp | white | H1 |
| 123 | 1 | 1 | 0349 303 552 | Switch | | QF1 |
| 124 | 1 | 1 | 0349 303 553 | Knob | | |
| 125 | 1 | 1 | 0349 302 305 | Switch | only in machine with water cooling | SA1 |
| 126 | 1 | 1 | 0349 302 253 | Knob | only in machine with water cooling | |
| 127 | 1 | - | 0193 942 001 | Switch | | QF2 |
| | - | 1 | 0349 302 645 | Switch | | QF2 |
| 129 | 2 | 2 | 0349 302 306 | Knob | | |
| 130 | 1 | - | 0193 945 001 | Switch | | QF3 |
| | - | 1 | 0349 302 644 | Switch | for 400-415V mains voltage | QF3 |
| | - | 1 | 0349 303 976 | Switch | for 230-500V mains voltage | QF3 |

ESABMig 405, ESABMig 505



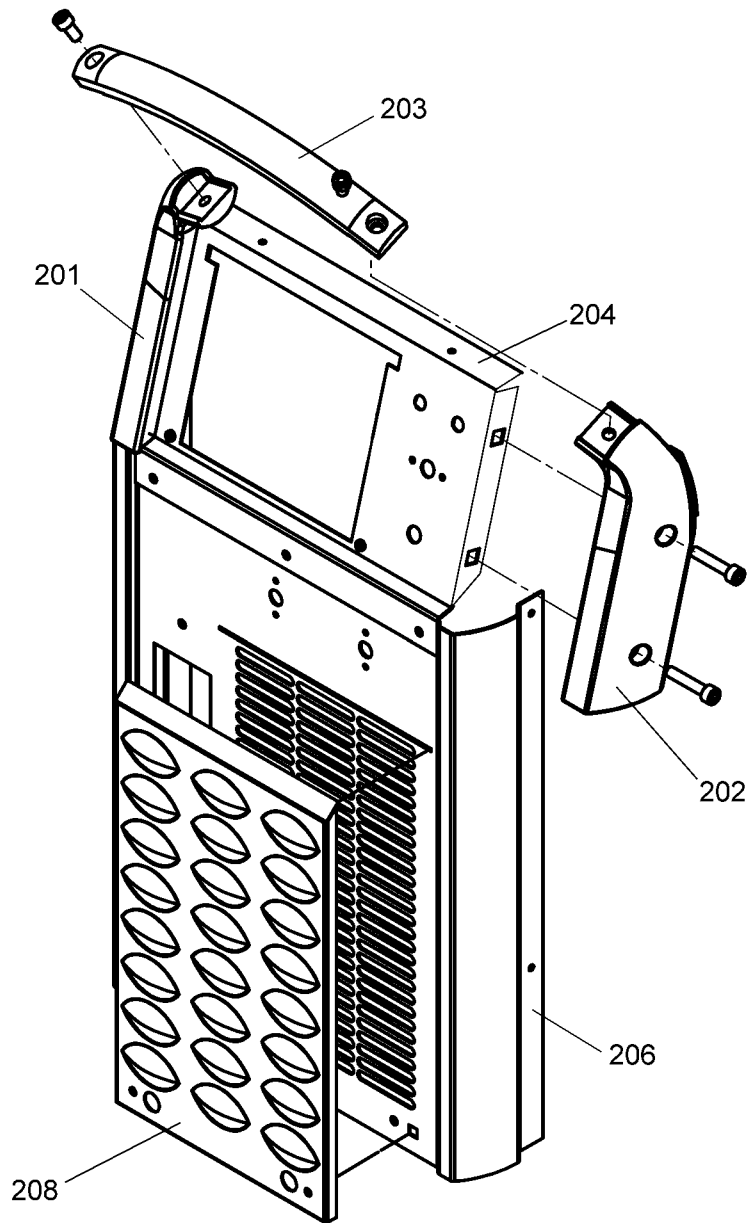
ESABMig 405, ESABMig 505

(A) = accessory

C = component designation in the circuit diagram

| Item | Qty 405 | Qty 505 | Ordering no. | Denomination | Notes | C |
|------|------------|------------|--------------|-------------------|---|---|
| 201 | 1 | 1 | 0349 302 282 | Left corner | | |
| 202 | 1 | 1 | 0349 302 283 | Right corner | | |
| 203 | 1 | 1 | 0349 302 538 | Handle | | |
| 204 | 1 | 1 | 0349 302 535 | Upper front panel | With text. Only for ESABMig 405w and 505w | |
| | 1 | 1 | 0349 302 536 | Upper front panel | With text. Only for ESABMig 405 and 505 | |
| 206 | 1 | - | 0349 302 534 | Lower front panel | | |
| | - | 1 | 0349 302 532 | Lower front panel | | |
| 208 | 1 | 1 | 0349 302 537 | Grill | | |

ESABMig 405, ESABMig 505

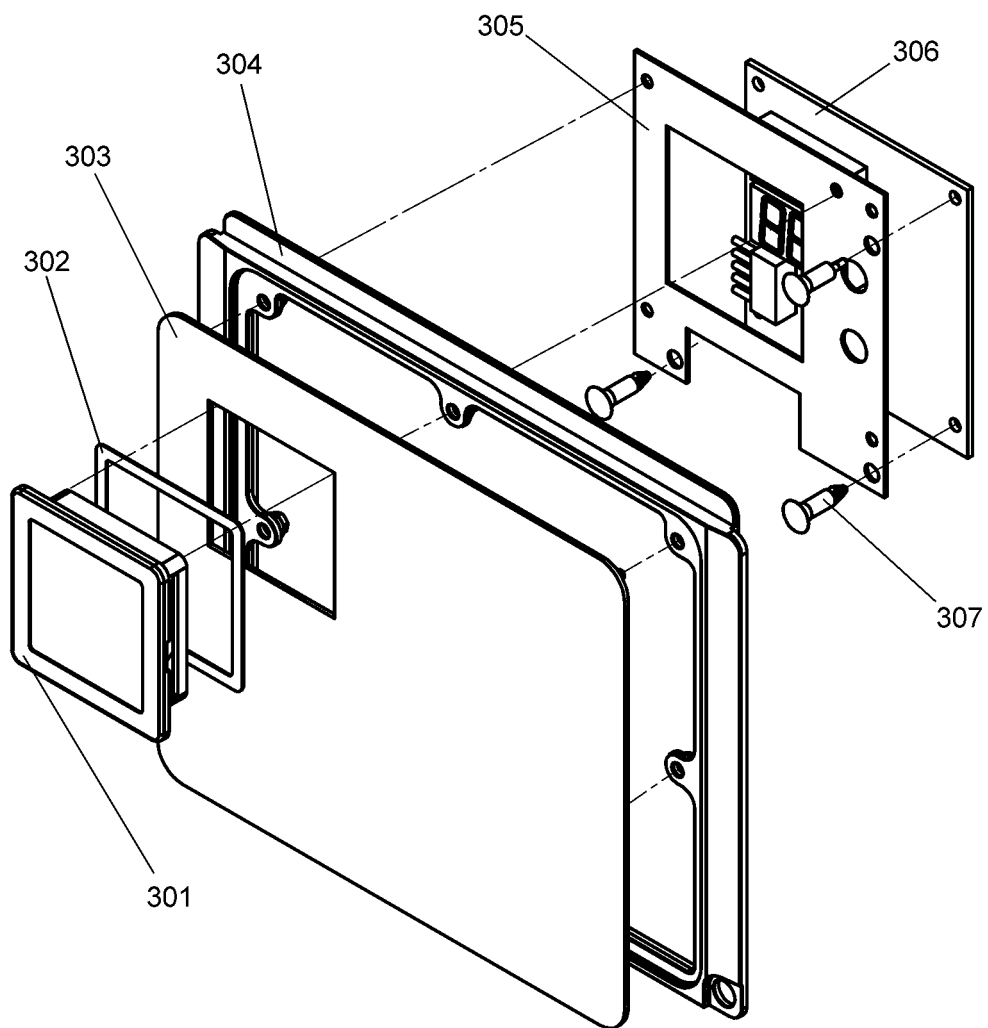


ESABMig 405, ESABMig 505

(A) = accessory

C = component designation in the circuit diagram

| Item | Qty 405 | Qty 505 | Ordering no. | Denomination | Notes | C |
|------|------------|------------|--------------|-------------------|------------------------------------|----|
| 301 | 1 | 1 | 0455 172 001 | Glass | | |
| 302 | 1 | 1 | 0455 174 001 | Seal | | |
| 303 | 1 | 1 | 0349 302 286 | Panel | | |
| 304 | 1 | 1 | 0459 118 002 | Protection frame | | |
| 305 | 1 | 1 | 0349 302 287 | Plate | | |
| 306 | 1 | - | 0349 495 934 | Circuit board (A) | Included in digital instrument (A) | P1 |
| | - | 1 | 0349 308 765 | Circuit board (A) | Included in digital instrument (A) | P1 |
| 307 | 3 | 3 | | Spacer | Included in digital instrument (A) | |



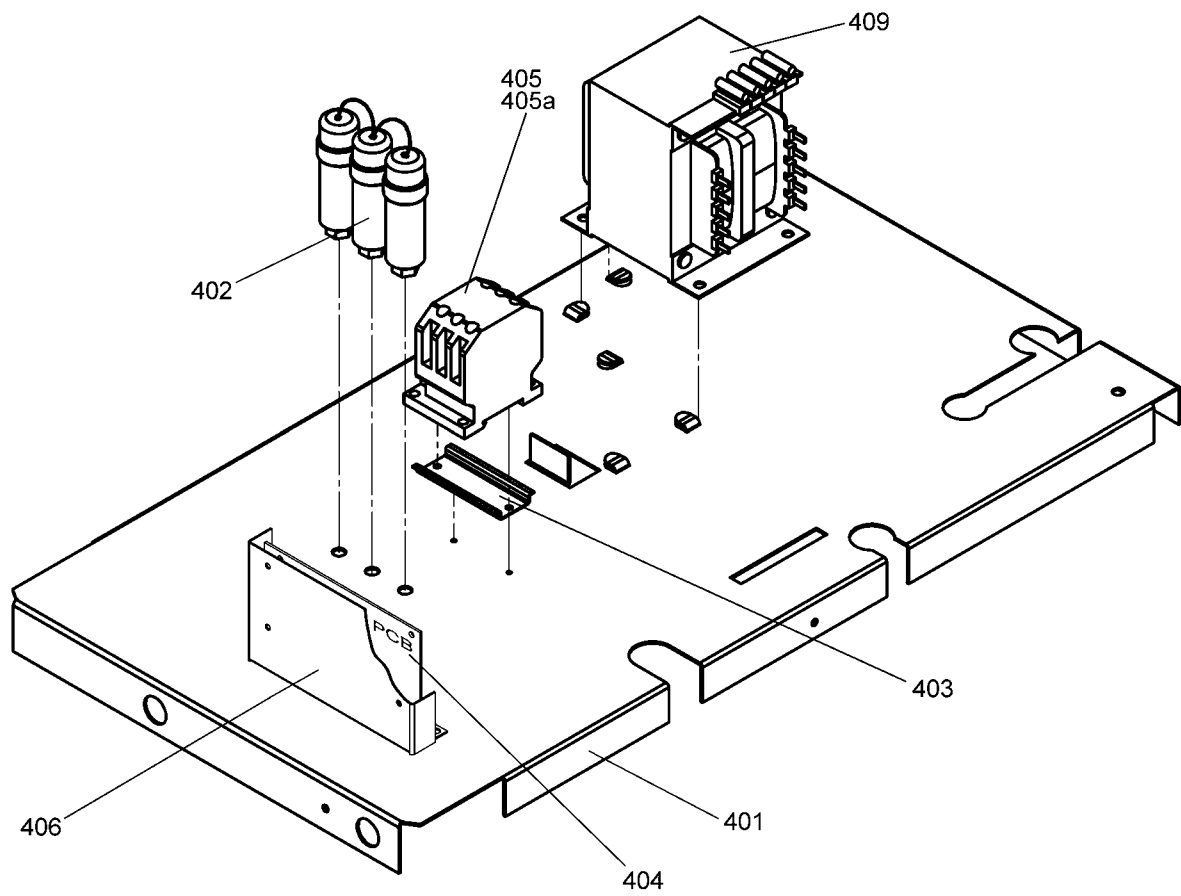
ESABMig 405, ESABMig 505

(A) = accessory

C = component designation in the circuit diagram

| Item | Qty 405 | Qty 505 | Ordering no. | Denomination | Notes | C |
|------|------------|------------|--------------|---------------------|---|------------|
| 401 | 1 | 1 | 0349 302 527 | Intermediate plate | | |
| 402 | 1 | 1 | 0349 303 025 | Filter | | C1, C2, C3 |
| 403 | 1 | 1 | 0349 302 421 | Rail | for contactors marked with (R) | |
| 404 | 1 | 1 | 0349 302 392 | Circuit board | | AP1 |
| 405 | 1 | - | 0193 297 103 | Contacteur (R) | 400-415V Valid up to machine number 246-430-1648 | KM1 |
| | 1 | - | 0349 484 212 | Contacteur (R) | 400-415V, together with item 405a | KM1 |
| | 1 | - | 0193 503 101 | Contacteur | 230-500V Valid up to machine number 246-433-1908 | KM1 |
| | 1 | - | 0349 484 214 | Contacteur (R) | 230-500V, together with item 405a | KM1 |
| | - | 1 | 0191 015 102 | Contacteur (R) | 400-415V Valid up to machine number 246-448-0645 | KM1 |
| | - | 1 | 0349 484 211 | Contacteur (R) | 400-415V | KM1 |
| | - | 1 | 0349 309 879 | Contacteur (R) | 230-500V | KM1 |
| | 405a | 1 | 1 | 0349 484 366 | Auxiliary contact | |
| 406 | 1 | 1 | 0349 308 761 | Bracket | | |
| 409 | 1 | 1 | 0469 882 001 | Control transformer | 400-415V | TC1 |
| | 1 | 1 | 0455 306 001 | Control transformer | 230-500V | TC1 |

ESABMig 405, ESABMig 505



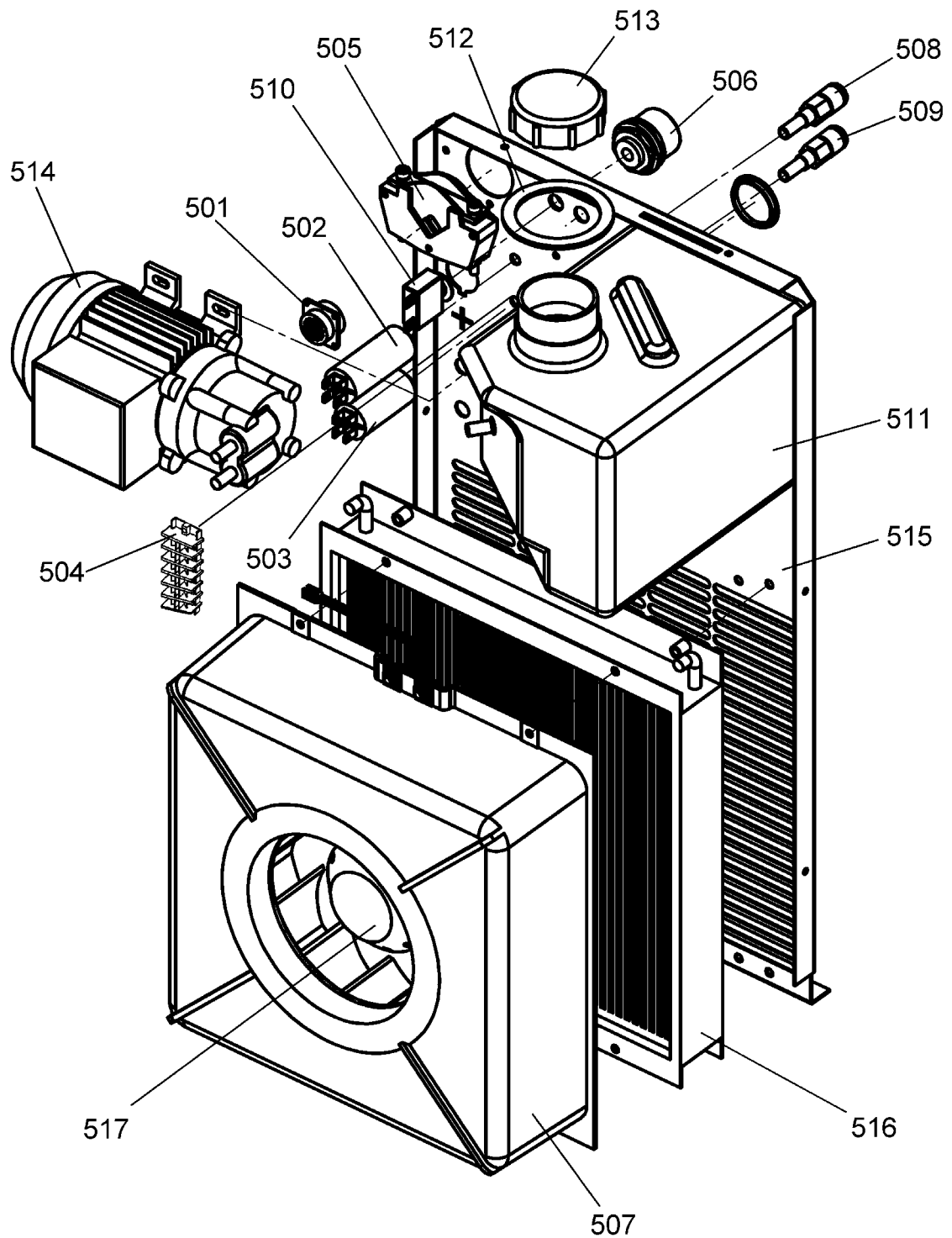
ESABMig 405, ESABMig 505

(A) = accessory

C = component designation in the circuit diagram

| Item | Qty 405 | Qty 505 | Ordering no. | Denomination | Notes | C |
|------|------------|------------|--------------|------------------|--|-----|
| 501 | 1 | 1 | 0368 544 005 | Sleeve socket | 23 pole | XS1 |
| 502 | 1 | 1 | 0191 085 203 | Capacitor | 3uF 400V | C4 |
| 503 | 1 | 1 | 0191 085 206 | Capacitor | 6uF 400V | C5 |
| 504 | 1 | 1 | 0466 884 008 | Connection block | 8 pole | XT1 |
| 505 | 1 | 1 | 0469 950 880 | Cable inlet | | |
| 506 | 1 | 1 | 0160 362 881 | Current terminal | | XS5 |
| 507 | 1 | 1 | 0469 893 001 | Fan housing | | |
| 508 | 1 | 1 | 0365 803 011 | Water connection | Female, red, with non-return valve. For ESABMig 405w, 505w | |
| 509 | 1 | 1 | 0365 803 012 | Water connection | Female, blue, with non-return valve. For ESABMig 405w, 505w | |
| 510 | 1 | 1 | 0193 586 102 | Circuit breaker | | F1 |
| 511 | 1 | 1 | 0469 689 001 | Water tank | Only ESABMig 405w, 505w | |
| 512 | 1 | 1 | 0366 481 004 | Seal | Only ESABMig 405w, 505w | |
| 513 | 1 | 1 | 0469 689 002 | Cover | Only ESABMig 405w, 505w | |
| 514 | 1 | 1 | 0459 288 001 | Pump | Only ESABMig 405w, 505w | M1 |
| 515 | 1 | 1 | 0349 302 531 | Rear panel | | |
| 516 | 1 | 1 | 0469 688 001 | Radiator | Only ESABMig 405w, 505w | |
| 517 | 1 | 1 | 0369 827 001 | Fan | | EV1 |

ESABMig 405, ESABMig 505



ESABMig 405, ESABMig 505

(A) = accessory

C = component designation in the circuit diagram

| Item | Qty 405 | Qty 505 | Ordering no. | Denomination | Notes | C |
|------|------------|------------|--------------|------------------|---------------|---------------|
| 601 | 1 | 1 | 0349 302 523 | Bottom plate | | |
| 602 | 1 | - | 0349 302 772 | Transformer | with switches | TM1 |
| | - | 1 | 0349 302 486 | Transformer | with switches | TM1 |
| 604 | 1 | - | 0455 488 880 | Diode bridge | | V1 |
| | - | 1 | 0349 302 497 | Diode bridge | | V1 |
| 606 | 1 | 1 | 0349 302 498 | Bracket | | |
| 607 | 1 | - | 0349 302 778 | Inductor | | L1 |
| | - | 1 | 0349 302 499 | Inductor | | L1 |
| 609 | 2 | 3 | 0160 362 881 | Current terminal | | XS2, XS3, XS4 |
| 610 | 1 | - | 0349 302 787 | Start booster | | V7 |

